

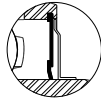
UEP 200 SERIES

Normal-Duty Pillow Block
Tru-Loc

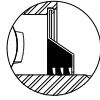
TURNER

Mounted Bearings

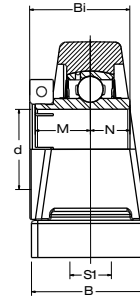
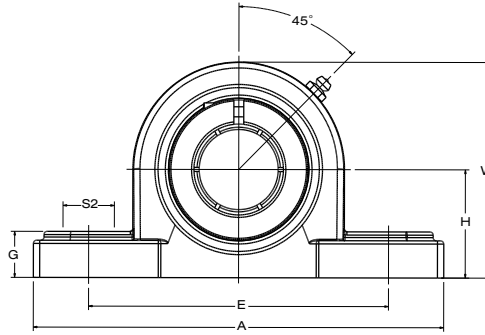
Available Seal Styles:



Standard



L3



Bearing Number	Shaft Dia. d in. mm.	Dimensions in. mm.											Bolt Used in. mm.	Load Rating lbs. kN.		Bearing Insert	Housing Number	Weight lbs. kg.
		H	A	E	B	S2	S1	G	W	Bi	N	M		Dynamic Cr	Static Cor			
UEP 204-12 UEP 204	3/4 20	1.313 33.3	5.00 127.0	3.75 95.0	1.50 38.0	0.75 19.0	0.44 11.0	0.56 14.0	2.56 65.0	1.2992 33.0	0.5000 12.7	0.7205 18.3	3/8 M10	2,883 12.82	1,496 6.65	UE 204-12 UE 204	P 204	1.5 0.7
UEP 205-14 UEP 205-15 UEP 205 UEP 205-16	7/8 15/16 25 1	1.438 36.5	5.50 140.0	4.13 105.0	1.50 38.0	0.75 19.0	0.44 11.0	0.59 15.0	2.81 71.0	1.3937 35.4	0.5630 14.3	0.7795 19.8	3/8 M10	3,155 14.04	1,810 8.05	UE 205-14 UE 205-15 UE 205 UE 205-16	P 205	1.8 0.8
UEP 206-17 UEP 206-18 UEP 206 UEP 206-19 UEP 206-20	1 1/16 1 1/8 30 1 3/16 1 1/4	1.688 42.9	6.31 160.0	4.75 121.0	1.68 42.0	0.79 20.0	0.56 14.0	0.63 16.0	3.31 84.0	1.5669 39.8	0.6260 15.9	0.8740 22.2	1/2 M12	4,377 19.47	2,569 11.43	UE 206-17 UE 206-18 UE 206 UE 206-19 UE 206-20	P 206	2.9 1.3
UEP 207-20 UEP 207-21 UEP 207-22 UEP 207 UEP 207-23	1 1/4 1 5/16 1 3/8 35 1 7/16	1.875 47.6	6.56 167.0	4.96 126.0	1.88 48.0	0.79 20.0	0.59 15.0	0.68 17.0	3.68 93.0	1.7283 43.9	0.6890 17.5	1.0000 25.4	1/2 M14	5,775 25.69	3,497 15.56	UE 207-20 UE 207-21 UE 207-22 UE 207 UE 207-23	P 207	3.3 1.5
UEP 208-24 UEP 208-25 UEP 208	1 1/2 1 9/16 40	1.938 49.2	7.25 184.0	5.44 137.0	2.13 54.0	0.81 21.0	0.59 15.0	0.71 18.0	3.88 98.0	1.9764 50.2	0.7480 19.0	1.1890 30.2	1/2 M14	6,634 29.51	4,079 18.14	UE 208-24 UE 208-25 UE 208	P 208	4.2 1.9
UEP 209-26 UEP 209-27 UEP 209-28 UEP 209	1 5/8 1 11/16 1 3/4 45	2.125 54.0	7.50 190.0	5.75 146.0	2.13 54.0	0.79 20.0	0.59 15.0	0.79 20.0	4.18 106.0	1.9764 50.2	0.7480 19.0	1.1890 30.2	1/2 M14	7,160 31.85	4,676 20.80	UE 209-26 UE 209-27 UE 209-28 UE 209	P 209	5.5 2.5
UEP 210-30 UEP 210-31 UEP 210 UEP 210-32	1 7/8 1 15/16 50 2	2.250 57.2	8.13 206.0	6.25 159.0	2.38 60.0	0.91 23.0	0.71 18.0	0.83 21.0	4.50 114.0	2.0709 52.6	0.7480 19.0	1.2835 32.6	5/8 M16	7,867 35.00	5,330 23.71	UE 210-30 UE 210-31 UE 210 UE 210-32	P 210	5.7 2.6
UEP 211-32 UEP 211-34 UEP 211 UEP 211-35	2 2 1/8 55 2 3/16	2.500 63.5	8.69 220.0	6.75 172.0	2.38 60.0	0.91 23.0	0.71 18.0	0.91 23.0	4.94 125.0	2.2283 56.6	0.8740 22.2	1.3150 33.4	5/8 M16	9,743 43.34	6,608 29.40	UE 211-32 UE 211-34 UE 211 UE 211-35	P 211	7.7 3.5
UEP 212-36 UEP 212 UEP 212-38 UEP 212-39	2 1/4 60 2 3/8 2 7/16	2.750 69.9	9.50 241.0	7.31 186.0	2.75 70.0	0.91 23.0	0.71 18.0	0.98 25.0	5.38 137.0	2.6220 66.6	1.0000 25.4	1.5630 39.7	5/8 M16	10,720 47.69	7,516 33.43	UE 212-36 UE 212 UE 212-38 UE 212-39	P 212	9.5 4.5